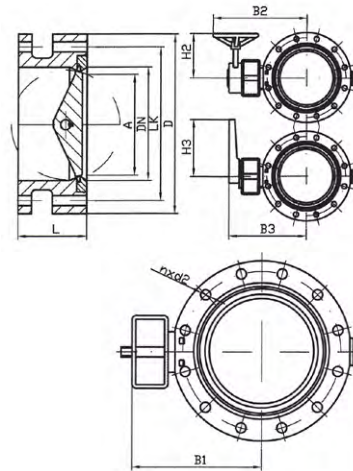
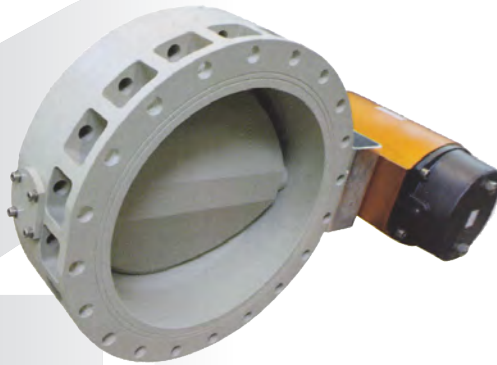


Butterfly Valves End-Version



with reduction gear
with hand wheel

up to DN500 with
hand lever

with shaft end

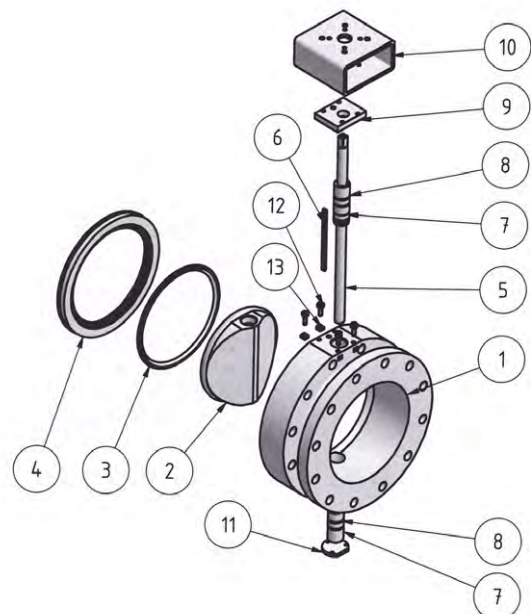
ANSI, JIS DIN 2501 / EN 1092-1 / PN10

diameter*			dimensions*										Kv-value
d	DN	inch	DIN 2501 / PN10										$\Delta p = 1 \text{ bar}$
L	B1	A	B2	H2	B3	H3	LK	D	n x d2	I/min			
75	65	2½"	120	170	50	285	135	215	210	145	185	4 x 18	2.200
90	80	3"	120	180	70	295	135	225	210	160	200	8 x 18	3.000
110	100	4"	120	190	90	305	135	235	210	180	220	8 x 18	6.500
160	150	6"	135	210	140	325	135	265	300	240	250	8 x 22	16.600
225	200	8"	140	220	180	335	135	275	300	295	285	8 x 22	39.600
280	250	10"	145	250	220	365	135	305	300	350	340	12 x 22	51.000
315	300	12"	150	310	275	425	135	365	300	400	445	12 x 22	73.000
355	350	14"	170	330	325	470	135	395	400	460	505	16 x 22	90.000
400	400	16"	185	360	375	505	165	425	400	515	565	16 x 26	115.000
450	450	18"	195	410	425	555	165	475	400	565	615	20 x 26	155.000
500	500	20"	205	460	465	605	165	-	-	620	670	20 x 26	204.000
630	600	24"	225	545	555	730	170	-	-	725	780	20 x 30	265.000

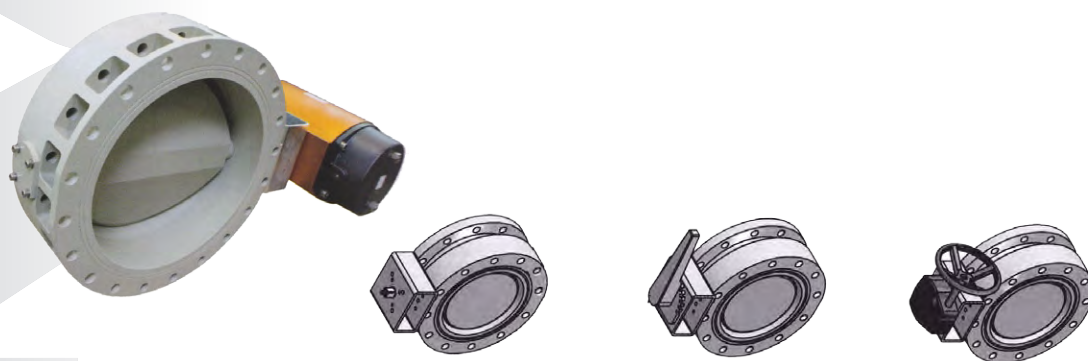
*mm / inch

Dimensions with electric or pneumatic actuator on request

No.	description	material
1	body	PVC, PP, PVDF
2	disc	PVC, PP, PVDF
3	gasket	EPDM, FPM, PTFE
4	retaining ring	PVC, PP, PVDF
5	shaft	Stainless Steel 1.4301
6	spring	Stainless Steel 1.4301
7	bushing	PVC, PP, PVDF, PTFE
8	O-ring	EPDM, FPM, PTFE
9	cover	PVC, PP, PVDF
10	Intermediate Plate	galvanised, Stainless Steel 1.4301
11	cap	PVC, PP, PVDF
12	screw / washer	Stainless Steel 1.4571
13	nut	Stainless Steel 1.4571



Butterfly Valve, PVC-U End-Version



PVC-U / EPDM

diameter*				free shaft end		hand lever with ratched settings		reduction gear with hand wheel	
d	DN	inch	PN	No	KG	No	KG	No	KG
75	65	2½"	10	481940	1,10	481949	1,30	481958	3,30
90	80	3"	10	481941	1,20	481950	1,50	481959	3,50
110	100	4"	10	481942	2,00	481951	2,20	481960	4,20
160	150	6"	8	481943	3,60	481952	3,90	481961	5,90
225	200	8"	6	481944	5,10	481953	5,90	481962	7,30
280	250	10"	6	481945	10,00	481954	11,50	481963	17,00
315	300	12"	5	481946	19,00	481955	21,00	481964	26,00
355	350	14"	5	481947	30,00	481956	33,00	481965	37,00
400	400	16"	4,5	481948	38,00	481957	41,00	481966	50,00

*mm / inch

electric and pneumatic actuator on request

PVC-U / FPM

diameter*				free shaft end		hand lever with ratched settings		reduction gear with hand wheel	
d	DN	inch	PN	No	KG	No	KG	No	KG
75	65	2½"	10	481967	1,10	481976	1,30	481985	3,30
90	80	3"	10	481968	1,20	481977	1,50	481986	3,50
110	100	4"	10	481969	2,00	481978	2,20	481987	4,20
160	150	6"	8	481970	3,60	481979	3,90	481988	5,90
225	200	8"	6	481971	5,10	481980	5,90	481989	7,30
280	250	10"	6	481972	10,00	481981	11,50	481990	17,00
315	300	12"	5	481973	19,00	481982	21,00	481991	26,00
355	350	14"	5	481974	30,00	481983	33,00	481992	37,00
400	400	16"	4,5	481975	38,00	481984	41,00	481993	50,00

*mm / inch

electric and pneumatic actuator on request

PVC-U / PTFE

diameter*				free shaft end		hand lever with ratched settings		reduction gear with hand wheel	
d	DN	inch	PN	No	KG	No	KG	No	KG
160	150	6"	8	481994	3,60	482000	3,90	482006	5,90
225	200	8"	6	481995	5,10	482001	5,90	482007	7,30
280	250	10"	6	481996	10,00	482002	11,50	482008	17,00
315	300	12"	5	481997	19,00	482003	21,00	482009	26,00
355	350	14"	5	481998	30,00	482004	33,00	482010	37,00
400	400	16"	4,5	481999	38,00	482005	41,00	482011	50,00

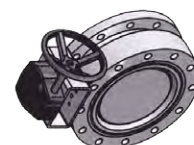
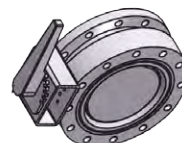
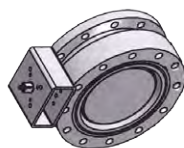
*mm / inch

electric and pneumatic actuator on request

Butterfly Valve, PP End-Version



PP / EPDM



diameter*				free shaft end		hand lever with ratched settings		reduction gear with hand wheel	
d	DN	inch	PN	No	KG	No	KG	No	KG
75	65	2½"	10	482013	1,00	482024	1,20	482034	3,20
90	80	3"	10	482014	1,10	482025	1,30	482035	3,40
110	100	4"	10	482015	1,70	482026	2,00	482036	4,00
160	150	6"	8	482016	3,10	482027	3,30	482037	5,30
225	200	8"	6	482017	4,30	482028	5,20	482038	6,60
280	250	10"	6	482018	7,10	482029	9,10	482039	14,10
315	300	12"	5	482019	12,70	482030	14,70	482040	19,70
355	350	14"	5	482020	20,90	482031	24,00	482041	27,90
400	400	16"	4,5	482021	27,50	482032	30,50	482042	39,50
450	450	18"	4,5	482022	35,00	482033	38,20	482043	47,00
500	500	20"	4	482023	47,00	-	-	482044	63,00

*mm / inch

up to DN 600 on request, electric and pneumatic actuator on request

PP / FPM

diameter*				free shaft end		hand lever with ratched settings		reduction gear with hand wheel	
d	DN	inch	PN	No	KG	No	KG	No	KG
75	65	2½"	10	482045	1,00	482056	1,20	482066	3,20
90	80	3"	10	482046	1,10	482057	1,30	482067	3,40
110	100	4"	10	482047	1,70	482058	2,00	482068	4,00
160	150	6"	8	482048	3,10	482059	3,30	482069	5,30
225	200	8"	6	482049	4,30	482060	5,20	482070	6,60
280	250	10"	6	482050	7,10	482061	9,10	482071	14,10
315	300	12"	5	482051	12,70	482062	14,70	482072	19,70
355	350	14"	5	482052	20,90	482063	24,00	482073	27,90
400	400	16"	4,5	482053	27,50	482064	30,50	482074	39,50
450	450	18"	4,5	482054	35,00	482065	38,20	482075	47,00
500	500	20"	4	482055	47,00	-	-	482076	63,00

*mm / inch

up to DN 600 on request, electric and pneumatic actuator on request

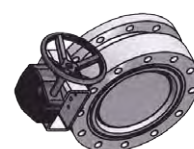
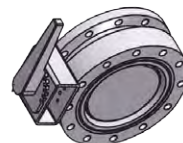
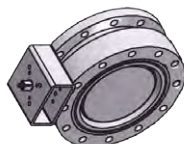
PP / PTFE

diameter*				free shaft end		hand lever with ratched settings		reduction gear with hand wheel	
d	DN	inch	PN	No	KG	No	KG	No	KG
160	150	6"	8	482077	3,10	482083	3,30	482089	5,30
225	200	8"	6	482078	4,30	482084	5,20	482090	6,60
280	250	10"	6	482079	7,10	482085	9,10	482091	14,10
315	300	12"	5	482080	12,70	482086	14,70	482092	19,70
355	350	14"	5	482081	20,90	482087	24,00	482093	27,90
400	400	16"	4,5	482082	27,50	482088	30,50	482094	39,50

*mm / inch

up to DN 600 on request ,electric and pneumatic actuator on request

Butterfly Valve, PVDF End-Version



PVDF / FPM

diameter*				free shaft end		hand lever with ratched settings		reduction gear with hand wheel	
d	DN	inch	PN	No	KG	No	KG	No	KG
75	65	2½"	10	482136	1,20	482145	1,30	482154	3,40
90	80	3"	10	482137	1,30	482146	1,50	482155	3,60
110	100	4"	10	482138	2,10	482147	2,30	482156	4,30
160	150	6"	8	482139	4,00	482148	4,30	482157	6,30
225	200	8"	6	482140	6,40	482149	7,20	482158	8,60
280	250	10"	6	482141	13,50	482150	15,50	482159	20,50
315	300	12"	5	482142	24,00	482151	26,00	482160	31,00
355	350	14"	5	482143	36,00	482152	39,00	482161	43,00
400	400	16"	4,5	482144	50,00	482153	53,00	482162	62,00

*mm / inch

electric and pneumatic actuator on request

PVDF / PTFE

diameter*				free shaft end		hand lever with ratched settings		reduction gear with hand wheel	
d	DN	inch	PN	No	KG	No	KG	No	KG
160	150	6"	8	482163	4,00	482169	4,30	482175	6,30
225	200	8"	6	482164	6,40	482170	7,20	482176	8,60
280	250	10"	6	482165	13,50	482171	15,50	482177	20,50
315	300	12"	5	482166	24,00	482172	26,00	482178	31,00
355	350	14"	5	482167	36,00	482173	39,00	482179	43,00
400	400	16"	4,5	482168	50,00	482174	53,00	482180	62,00

*mm / inch

electric and pneumatic actuator on request