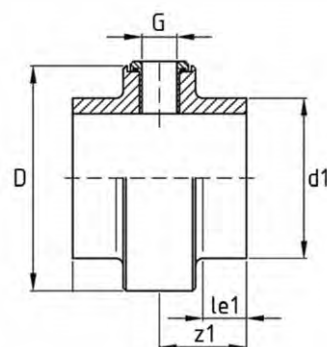


Tee PE with threaded insert



- PE 100 SDR 17 / PN 10
- for connection of a manometer to a pressure pipe line
- with brass insert, thread DIN ISO 228-1
- short spigots
- in conformity with pressure class
- DVGW DV 86706BT0423, 75 mm to 225 mm
- DV 8611BT0424, 250 mm to 630 mm
- optional with stainless steel thread, long spigots, intermediate flange connection



d1	G	le1	Z1	D	KG
63	1/2 "	30	60	110	0,4
75	3/4 "	30	60	125	0,5
90	1/2 "	30	60	140	0,6
110	1/2 "	30	60	155	0,7
125	1/2 "	30	60	170	0,8
140	1/2 "	30	60	180	0,9
160	1/2 "	30	60	201	1,1
180	1/2 "	30	60	210	1,1
200	1/2 "	30	60	230	1,3
225	1/2 "	30	60	255	1,5
250	3/4 "	30	75	285	2,6
280	3/4 "	30	75	325	3,5
315	3/4 "	30	75	360	4,2



Customised solution with long spigots