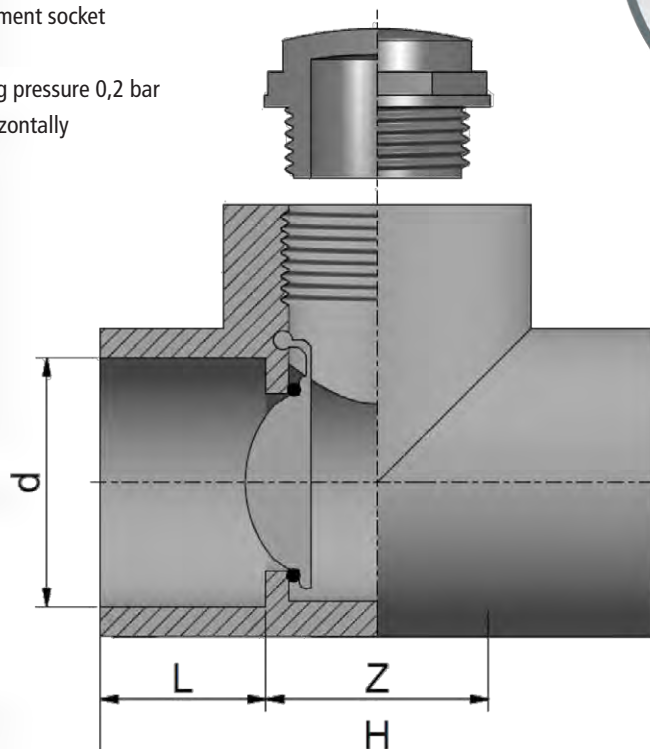


PVC-u Tee Wafer Check Valve



- metric solvent cement socket
- EPDM O-rings
- minimum working pressure 0,2 bar
- may be used horizontally



d	L	H	Z	PN	KG
32	22	86	39	10	0,1380
40	26	101	47	10	0,2000
50	31	123	59	10	0,2920
63	38	150	73	10	0,5000