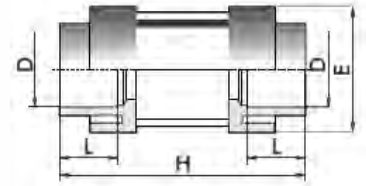


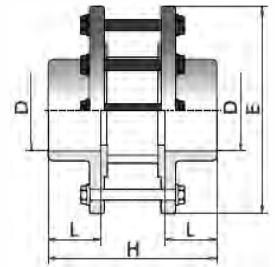
Sight Glass PVC

- body PVC-U
- O-rings EPDM
- solvent cementing socket metric
 - d50 - d63 PN6 PMMA* Type A
 - d75 - d225 PN10 SAN** Type B
- BSP female threaded
 - 1½" - 2" PN6
- 4 bolts zinc plated

Type A



Type B



* PMMA: Acrylglass / Plexiglass

** SAN : Styrol-Acrylnitril

d	DN	L	H	E	Type
50	40	31	130	80	A
63	50	38	159	92	A
75	65	44	165	185	B
90	80	51	180	200	B
110	100	61	250	220	B
125	110	69	280	230	B
140	125	76	310	250	B
160	150	86	360	285	B
200	175	106	420	315	B
225	200	119	500	340	B
1½"		31	130	80	A
2"		38	159	92	A



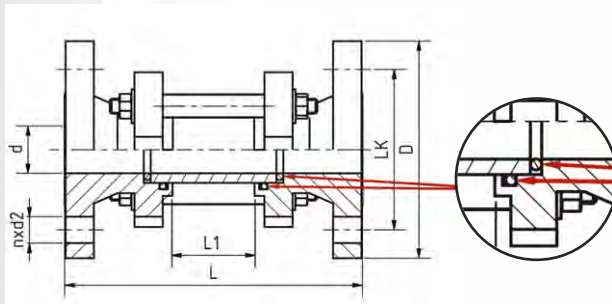
- 1 body
- 2 O-Rings
- 3 Sight Glass
- 4 bolts

- PVC-U
- EPDM
- PMMA / SAN
- zinc plated

Sight Glass

DN 15 - DN 150

- body PVC-U, PP-H, PVDF
- O-rings EPDM / FPM
2 o-rings for improved safety
- flanged, alternatively Union Ends
- Borosilicate glass
- bolts / washers stainless steel 1.4301
- PVC-C and special connections on request
- barrier-free passage

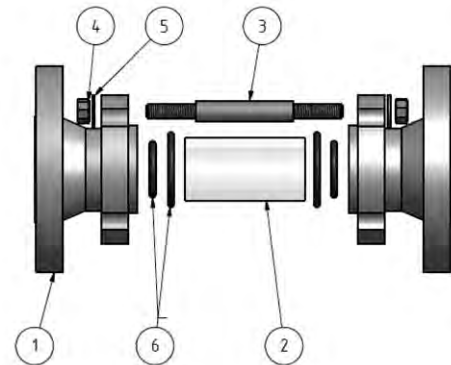


Double process reliability
due two O-rings

d	DN	inch	L	L1	LK	D	n x d2
20	15	½"	140	26	65	95	4 x ø14
25	20	¾"	150	36	75	105	4 x ø14
32	25	1"	160	46	85	115	4 x ø14
40	32	1 ¼"	180	58	100	140	4 x ø18
50	40	1 ½"	200	70	110	150	4 x ø18
63	50	2"	230	92	125	165	4 x ø18
75	65	2 ½"	290	116	145	185	4 x ø18
90	80	3"	310	126	160	200	8 x ø18
110	100	4"	350	166	180	220	8 x ø18
110	125	5"	400	196	210	250	8 x ø18
160	150	6"	480	240	240	285	8 x ø22

spare parts

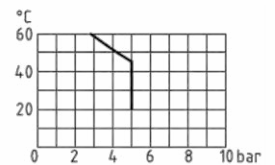
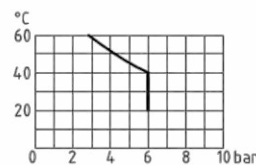
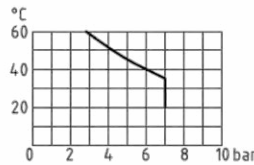
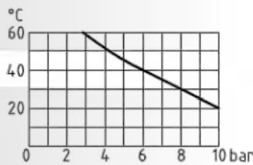
no	description	material
1	flanges DIN 2501 PN10	PVC, PP, PVDF
2	glass	Borosilicate
3	threaded rod	1.4301
4	washer	1.4301
5	nut	1.4301
6	O-rings	EPDM, FKM



PVC-U

mm			PN	EPDM	FKM	KG
d	DN	inch		Code no.	Code no.	
20	15	½"	10	485813	485814	0,80
25	20	¾"	10	485535	485815	1,30
32	25	1"	10	479700	479708	1,30
40	32	1 ¼"	10	479701	479709	1,60
50	40	1 ½"	10	479702	479710	2,10
63	50	2"	10	479703	479711	2,60
75	65	2 ½"	7	479704	479712	3,80
90	80	3"	7	479705	479713	5,60
110	100	4"	6	479706	479714	6,40
140	125	5"	5	485816	485817	13,30
160	150	6"	5	479707	479715	13,80

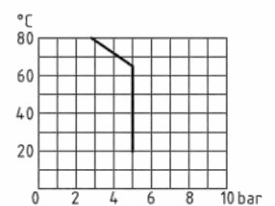
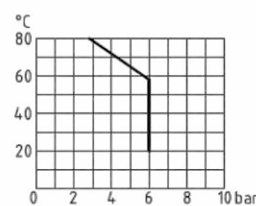
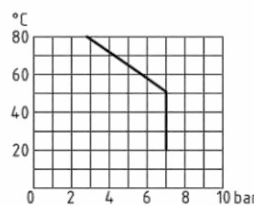
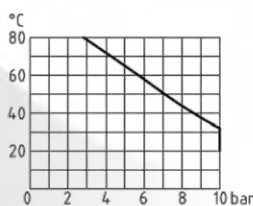
Pressure/temperature diagram for PVC-U



PP-H

mm			PN	EPDM	FKM	KG
d	DN	inch		Code no.	Code no.	
20	15	½"	10	481481	485798	0,50
25	20	¾"	10	485799	485800	0,80
32	25	1"	10	479716	479724	1,00
40	32	1 ¼"	10	479717	479725	1,20
50	40	1 ½"	10	479718	479726	1,60
63	50	2"	10	479719	479727	1,90
75	65	2 ½"	7	479720	479728	3,00
90	80	3"	7	479721	479729	4,20
110	100	4"	6	479722	479730	4,60
140	125	5"	5	484864	485818	8,50
160	150	6"	5	479723	479731	10,80

Pressure/temperature diagram for PP-H



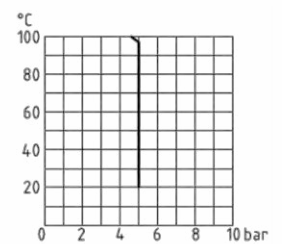
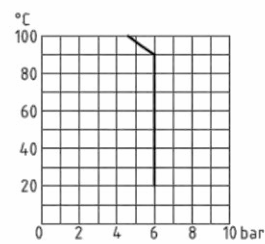
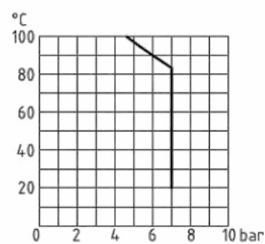
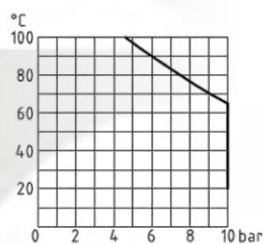
Sight Glass DN 15 - DN 150



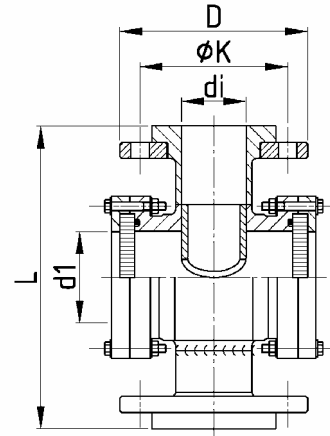
PVDF

mm			EPDM		FKM		KG
d	DN	inch	PN	Code no.	Code no.		
20	15	½"	10	485819	485820	1,00	
25	20	¾"	10	485708	485709	1,60	
32	25	1"	10	479732	479740	1,50	
40	32	1 ¼"	10	479733	479741	1,80	
50	40	1 ½"	10	479734	479742	2,40	
63	50	2"	10	479735	479743	2,90	
75	65	2 ½"	7	479736	479744	4,50	
90	80	3"	7	479737	479745	6,30	
110	100	4"	6	479738	479746	7,00	
140	125	5"	5	485821	485822	16,60	
160	150	6"	5	479739	479747	16,00	

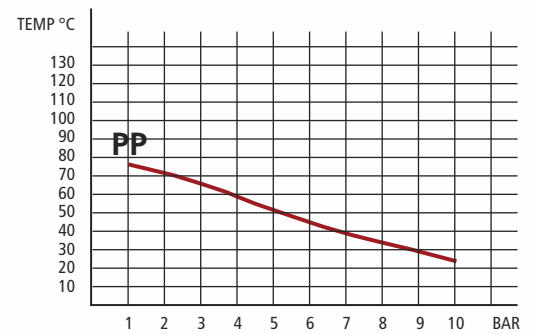
Pressure/temperature diagram for PVDF



Sight Glass PP



- PP, EPDM O-rings, Borosilicate Glass stainless steel bolts and nuts
- DN25 - DN200
- flanges DIN 2501, PN10
- overall length acc. to DIN EN 558-1 series 1
- temperature/pressure range see diagram
- optional with PTFE or Viton O-rings PVDF lined, PVDF foil and ANSI flanges



DN	d1	L	d	d1	PN	k	D	bolts	KG
50	63	230	50	73	10	125	165	4 x M 16	2,9
65	75	290	59	98	10	145	185	4 x M 16	5,5
80	90	310	71	115	10	160	200	8 x M 16	8,0
100	110	350	87	117	10	180	220	8 x M 16	10,0
125	140	400	111	135	6	210	250	8 x M 16	15,0
150	160	480	127	154	6	240	285	4 x M 20	20,0
200	225	600	180	154	6	295	340	4 x M 20	33,0

Sight Glass for flange connection

- glass tubes of 24, 30 and 50 mm - 0,94" / 1,18" / 1,97" length, made of PMMA Acrylic, Soda-lime, Borosilicate, Quartz
- the wall thickness of the Sight Glass corresponds to pipe standards
- maximum pressure 16 bar / 150 lbs, for higher pressures on request
- maximum temperature 1100°C / 2012°F
- for installation between DIN / ANSI flanges DN10 - DN1000, 0,39" – 40" (no metal casing required)
- resistant to aggressive media, ideal for steril and aseptic application



Description	Temperature	Type
Low-cost design	80°C / 176°F	Acrylic Glass
High resistance to Chemicals	150°C / 302°F	Soda-lime Glass
Resistant to aggressive media	300°C / 572°F	Borosilicate Glass
Resistant to aggressive media	1100°C / 2012°F	Quartz Glass