

Maintenance Box, PE-100

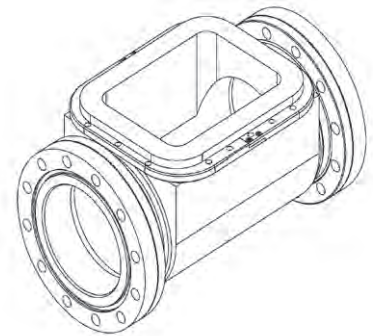
- reinforced PE-100 body,
- SDR 17 / 11
- d110 to d1600
- EPDM O-ring
- galvanised cover, bolts and screws



- Type 1 up to 4 bar
base optional



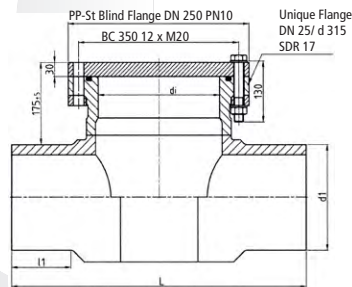
- Type 2 up to 16 bar
- cover with hot deep galvanised reinforcing tension ribs
- elastomer backed tension strips



cover for pig trap

Optional

- hot deep galvanised flange
- EL Spigot
- Unique Flange Adaptor
- push-fit coupling
- cover for pig trap
- base



Example of a T-cross with flange connection, level invert tee and round cover