

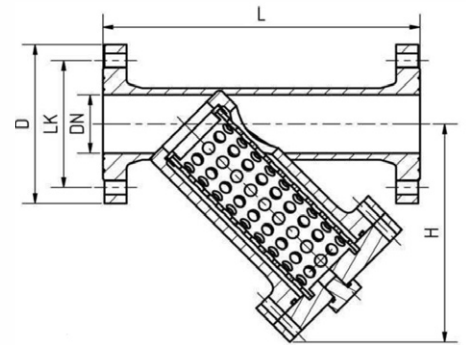
Line Strainer

DN 65 - DN 500, PN 10

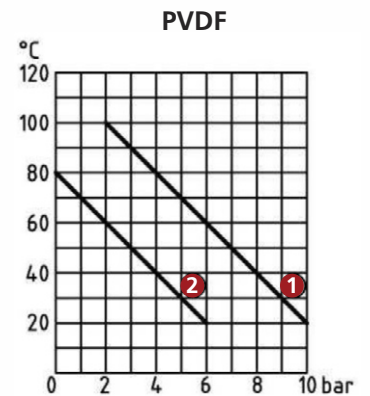
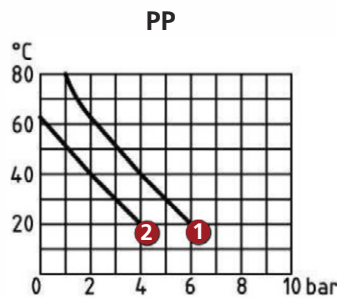
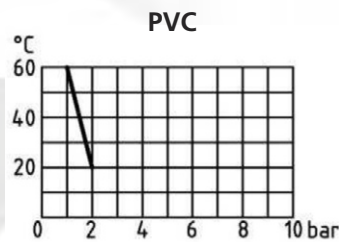


- PVC-U, PP and PVDF
- EPDM, FPM O-rings
- ETFE screen 2,0 mm, 0,25, 0,5, 1,0 on request
- DN 65 – DN 100 with loose flanges
DN 125 – DN 500 with fixed flanges
- fix flange connections DIN EN 1092-1, DIN 2501-1, PN 10
ANSI or JIS standard on request
- bolts and nuts stainless steel 1.4301
- overall length acc. to factory standard
length and/or connection type also to order

Diameter			Dimensions					Kv-value p = 1 bar	
d	DN	inch	L	H	LK	D	n x d2	l/m	
75	65	2½"	370	260	145	185	4 x ø 18	500	
90	80	3"	410	275	160	200	8 x ø 18	1.000	
110	100	4"	490	325	180	220	8 x ø 18	1.600	
140	125	5"	550	380	210	250	8 x ø 18	3.000	
160	150	6"	600	430	240	285	8 x ø 22	4.500	
225	200	8"	700	550	295	340	8 x ø 22	10.000	
280	250	10"	820	620	350	395	12 x ø 22		
315	300	12"	950	780	400	445	12 x ø 22		
355	350	14"	1.020	850	460	505	16 x ø 22		
400	400	16"	1.120	950	515	565	16 x ø 26		
500	500	20"	1.380	1.050	620	670	20 x ø 26		

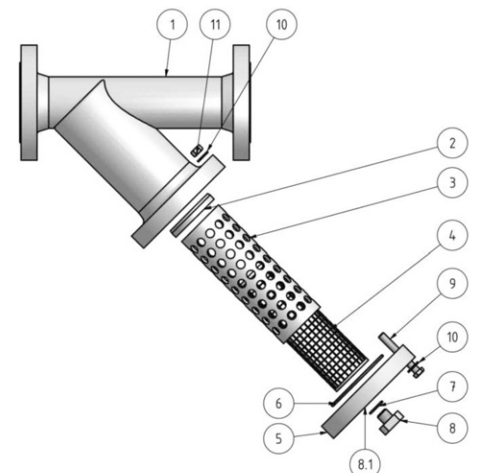


Pressure/temperature diagram



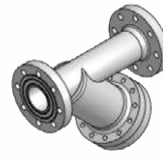
- ① up to DN 123
② up to DN 150

No	Description	Material	No	Description	Material
1	body	PVC, PP, PVDF	7	O-ring	EPDM, FPM
2	cage	PVC, PP, PVDF	8	plug	PVC, PP, PVDF
3	screen basket	PVC, PP, PVDF	8.1	available with valve for discharging	PVC, PP, PVDF
4	screen	ETFE	9	screws	Stainless Steel 1.4301
5	cover	PVC, PP, PVDF	10	washers	Stainless Steel 1.4301
6	O-ring	EPDM, FPM	11	nuts	Stainless Steel 1.4301



Line Strainer

DN 65 - DN 500, PN 10



PVC

d	DN	inch	PN	EPDM		FKM	
				No	KG	No	KG
75	65	2½"	10	479995	7,80	480000	7,80
90	80	3"	10	479996	10,00	480001	10,00
110	100	4"	10	479997	12,50	480002	12,50
140	125	5"	10	479998	20,00	480003	20,00
160	150	6"	10	479999	26,50	480004	26,50

flange connection DIN 2501/EN2601, PN10

PP

d	DN	inch	PN	EPDM		FKM	
				No	KG	No	KG
75	65	2½"	6	480005	5,00	480012	5,00
90	80	3"	6	480006	6,50	480013	6,50
110	100	4"	6	480007	8,00	480014	8,00
140	125	5"	6	480008	13,00	480015	13,00
160	150	6"	4	480009	17,00	480016	17,00
225	200	8"	4	480010	24,00	480017	24,00
280	250	10"	4	480011	30,00	480018	30,00

up to DN 500 on request

flange connection DIN 2501/EN2601, PN10

PVDF

d	DN	inch	PN	EPDM		FKM	
				No	KG	No	KG
75	65	2½"	10	480019	10,00	480023	10,00
90	80	3"	10	480020	13,00	480024	13,00
110	100	4"	10	480021	16,00	480025	16,00
140	125	5"	10	480022	25,00	480026	25,00

up to DN 200 on request
any other type/material on request

flange connection DIN 2501/EN2601, PN10

Customised solution



PP/GRP, PVDF/GRP DN100
with discharge ball valve



PVC-U, PP, PVDF, ECTFE DN200
with fasteners for quick opening



PP DN100 with discharge ball valve