

# Basket Strainer

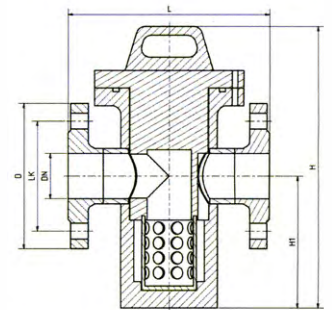
## DN 50 - DN 300

PN 10, with flange connections

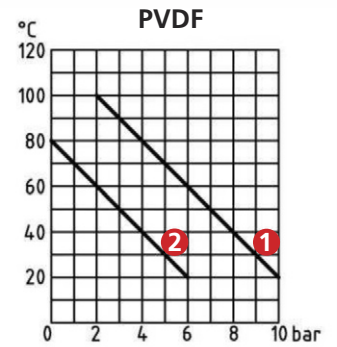
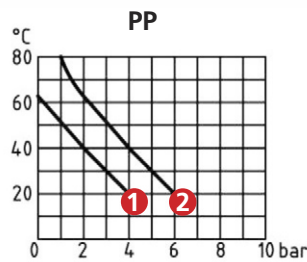
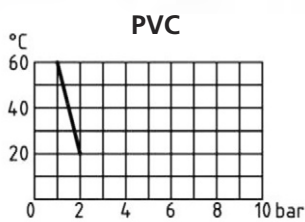


- installed at narrow places where discharge or cleaning from the bottom is not possible
- PN 10, with flange connection DIN 2501 / EN 1092-1, ANSI on request
- PVC-U, PP, PVDF with ETFE 2,0 mm screen mesh  
1,0 / 0,5 / 0,25 mm on request
- EPDM, FPM O-rings
- fiberglass reinforced version for special application on request,  
also dimensions for connection and overall length

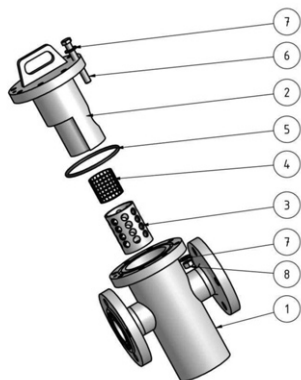
Diameter			Dimensions					Kv-value =1bar	
d	DN	inch	L	H1	H	LK	D	n x d2	l/min
63	50	2"	230	150	320	125	165	4 x ø 18	350
75	65	2½"	255	250	450	145	185	4 x ø 18	500
90	80	3"	270	260	480	160	200	8 x ø 18	1.000
110	100	4"	350	283	573	180	220	8 x ø 18	1.600
140	125	5"	400	365	620	210	250	8 x ø 18	3.000
160	150	6"	450	410	690	240	285	8 x ø 22	4.500
225	200	8"	520	555	875	295	340	8 x ø 22	10.000
280	250	10"	630	570	920	350	395	12 x ø 22	
315	300	12"	810	730	1.125	400	445	12 x ø 22	



### Pressure/temperature diagram



- ① up to DN 125
- ② from DN 150

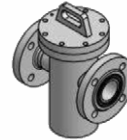


No.	description	material	No.	description	material
1	body	PVC, PP, PVDF	5	O-ring	EPDM, FKM
2	screen/cover	PVC, PP, PVDF	6	screw	Stainless Steel 1.4301
3	cage	PVC, PP, PVDF	7	washer	Stainless Steel 1.4301
4	screen	ETFE	8	nut	Stainless Steel 1.4301

# Basket Strainer

## DN 50 - DN 300

PN 10, with flange connections



### PVC-U grey

d	DN	inch	PN	EPDM		FKM	
				No	KG	No	KG
63	50	2"	2	485827	5,50	485828	5,50
75	65	2½"	2	481790	7,80	481795	7,80
90	80	3"	2	481791	10,00	481796	10,00
110	100	4"	2	481792	12,50	481797	12,50
140	125	5"	2	481793	20,00	481798	20,00
160	150	6"	2	481794	26,50	481799	26,50

up to DN 300 with flange connection DIN 2501/EN2601, PN10 on request

### PP

d	DN	inch	PN	EPDM		FKM	
				No	KG	No	KG
63	50	2"	2	485829	3,50	485056	3,50
75	65	2½"	6	481800	5,00	481807	5,00
90	80	3"	6	481801	6,50	481808	6,50
110	100	4"	6	481802	8,00	481809	8,00
140	125	5"	6	481803	13,00	481810	13,00
160	150	6"	4	481804	17,00	481811	17,00
225	200	8"	4	481805	24,00	481812	24,00
280	250	10"	4	481806	30,00	481813	30,00

up to DN 300 with flange connection DIN 2501/EN2601, PN10 on request

### PVDF

d	DN	inch	PN	EPDM		FKM	
				No	KG	No	KG
63	50	2"	2	485830	7,00	485831	7,00
75	65	2½"	10	481814	10,00	481818	10,00
90	80	3"	10	481815	13,00	481819	13,00
110	100	4"	10	481816	16,00	481820	16,00
140	125	5"	10	481817	25,00	481821	25,00

up to DN 200 with flange connection DIN 2501/EN2601, PN10 on request