

Swing Check Valves

- body material HI-PVC*, PP, PVDF
- DN 20 - DN 200
- sealing material EPDM, CSM, NBR, PTFE
- max. PN10 working pressure (dep. on materials and diameter)
- minimum back pressure required
- for horizontal or vertical installation
(minimum operating and closing pressure to be observed)
- operating temperature -20°C to 100 °C
- vacuum tightness 100%
- flange connection acc. to EN 1092-1 / DIN 2501 - PN10
- length: DIN EN 558 - 1 series FTF 48 (DIN 3202 - series F6)
- full clearance without cross sectional reduction
- low pressure loss
- top access cover facilitates maintenance without body removal from pipeline

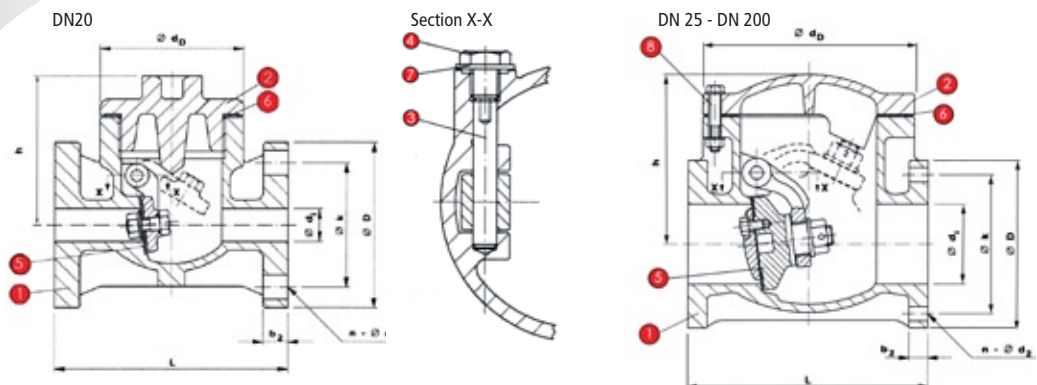
*HI-PVC = High Impact PVC



Options

- external lever and weight for faster closure
- external spring for faster closure
- PTFE or FKM Seat and O-Ring
- adjustable weight version on request

DN	d ₁	k	D	nx d ₂	e	d _b	L	b ₂		h	KG			
								PVC	PP PVDF		HI- PVC	PP	PVDF	
20	¾	20	75	105	4 x 14	14	86	140	15	15	90	0,78	0,46	0,87
25	1	25	85	115	4 x 14	14	130	160	16	16	120	1,6	1,1	1,78
40	½	40	110	150	4 x 18	18	145	180	18	18	138	2,7	2,1	3,0
50	2	50	125	165	4 x 18	18	180	200	20	20/21	164	4,0	2,8	4,5
65	2½	65	145	185	4 x 18	18	200	240	22	23	168	5,1	3,5	5,7
80	3	80	160	200	8 x 18	18	205	260	22	24	171	5,5	3,8	6,6
100	4	100	180	220	8 x 18	18	265	300	24	26	213	9,5	6,6	11,4
125	5	125	210	250	8 x 18	18	330	350	24	27	248	16,3	11,4	19,6
150	6	150	240	285	8 x 22	23	370	400	25	27	283	20,8	14,3	25,0
200	8	200	295	340	8 x 22	23	425	500	30	34	336	34,0	23,4	40,8



No.	Parts	Pcs	Materials	No.	Parts	Pcs	Materials
1	Body	1	PVC, PP, PVDF	5	Arm*1	1	PVC, PP, PVDF
2	Bonnet	1	PVC, PP, PVDF	6	Sheet Gasket *	1	EPDM, CSM, NBR, PVDF
3	Shaft*	1	PVC, PP, PVDF	7	Seat holder	1	EPDM, CSM, NBR, PVDF
4	Plug	1	PVC, PP, PVDF	8	bolt, nut, washer	1	Stainless Steel 1.4301/304

* ware parts

¹ optional with EPDM, CSM, NBR, PTFE sealing