

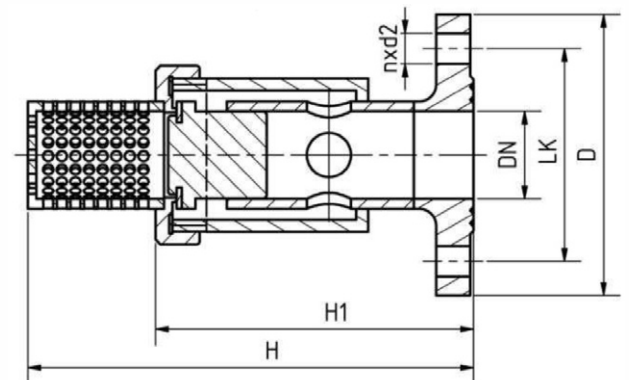
# Suction Filter / Foot Valve

## DN 15 - DN 400

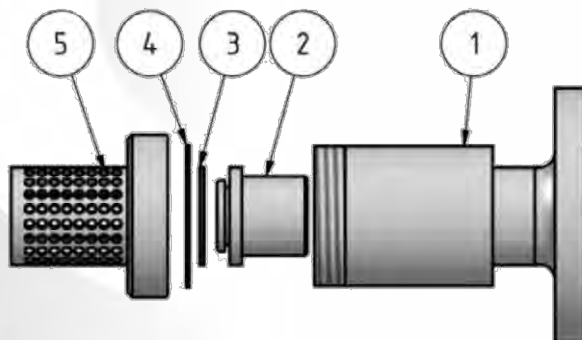


- special version with integrated setback piston, protects the pressure pipe additionally against idling and prevent possible dry run of the pump
- PVC-U, PP and PVDF
- EPDM, FPM gaskets and O-rings
- bolts and nuts stainless steel 1.4301
- flanges DIN EN 1092-1, DIN 2501, PN 10, ANSI or JIS standard on request
- overall length acc. to ISO standard, other dimensions on request
- screen
  - 5 mm mesh DN 15 - DN 80
  - 10 mm mesh DN 100 - DN 150
  - 15 mm mesh DN 100 - DN 400
  - 0,25, 0,50, 1,0, 2,0 mm on request

nominal diameter			dimensions				
d	DN	inch	H	H1	LK	D	n x d2
20	15	½"	190	140	65	95	4 xø
25	20	¾"	195	145	75	105	4 xø
32	25	1"	195	145	85	115	4 xø
40	32	1¼"	235	170	100	140	4 xø
50	40	1½"	300	205	110	150	4 xø
63	50	2"	315	220	125	165	4 xø
75	65	2½"	395	250	145	185	4 xø
90	80	3"	395	250	160	200	8 xø
110	100	4"	445	310	180	220	8 xø
140	125	5"	485	340	210	250	8 xø
160	150	6"	545	415	240	285	8 xø
225	200	8"	690	545	295	340	8 xø
280	250	10"	760	570	350	395	12 xø
315	300	12"	870	610	400	445	12 xø
355	350	14"	870	610	460	505	16 xø
400	400	16"	870	610	515	565	16 xø



Flange DIN 2501 / PN10 EN1092 / PN10



no.	description	material
1	body	PVC, PP, PVDF
2	piston	PVC, PP, PVDF
3	flat gasket	EPDM, FKM
4	O-ring	EPDM, FKM
5	screen basket	PVC, PP, PVDF

# Suction Filter / Foot Valve

## DN 15 - DN 400



### PVC-U

d	DN	inch	PN bar	EPDM		FKM	
				No.	KG	No.	KG
20	15	¼"	4	480041	0,18	480054	0,18
25	20	¾"	4	480042	0,20	480055	0,20
32	25	1"	4	480043	0,28	480056	0,28
40	32	1¼"	4	480044	0,48	480057	0,48
50	40	1½"	4	480045	0,72	480058	0,72
63	50	2"	4	480046	1,22	480059	1,22
75	65	2½"	2	480047	6,25	480060	6,25
90	80	3"	2	480048	8,00	480061	8,00
110	100	4"	2	480049	10,00	480062	10,00
140	125	5"	2	480050	16,00	480063	16,00
160	150	6"	2	480051	21,00	480064	21,00
225	200	8"	2	480052	30,00	480065	30,00
280	250	10"	2	480053	38,00	480066	38,00

up to DN 400 on request

Flange DIN EN 1092-1, DIN 2501

### PP

d	DN	inch	PN bar	EPDM		FKM	
				No.	KG	No.	KG
20	15	¼"	4	480067	0,15	480080	0,15
25	20	¾"	4	480068	0,18	480081	0,18
32	25	1"	4	480069	0,22	480082	0,22
40	32	1¼"	4	480070	0,38	480083	0,38
50	40	1½"	4	480071	0,55	480084	0,55
63	50	2"	4	480072	0,90	480085	0,90
75	65	2½"	4	480073	4,00	480086	4,00
90	80	3"	4	480074	5,20	480087	5,20
110	100	4"	4	480075	6,40	480088	6,40
140	125	5"	4	480076	10,40	480089	10,40
160	150	6"	4	480077	13,60	480090	13,60
225	200	8"	4	480078	19,20	480091	19,20
280	250	10"	4	480079	24,00	480092	24,00

up to DN 400 on request

Flange DIN EN 1092-1, DIN 2501

# Suction Filter / Foot Valve

## DN 15 - DN 400



### PE

d	DN	inch	PN bar	EPDM		FKM	
				No.	KG	No.	KG
20	15	¾"	4	480041	0,18	480054	0,18
25	20	¾"	4	480042	0,20	480055	0,20
32	25	1"	4	480043	0,28	480056	0,28
40	32	1¼"	4	480044	0,48	480057	0,48
50	40	1½"	4	480045	0,72	480058	0,72
63	50	2"	4	480046	1,22	480059	1,22
75	65	2½"	4	480047	6,25	480060	6,25
90	80	3"	4	480048	8,00	480061	8,00
110	100	4"	4	480049	10,00	480062	10,00
140	125	5"	4	480050	16,00	480063	16,00
160	150	6"	4	480051	21,00	480064	21,00
225	200	8"	4	480052	30,00	480065	30,00
280	250	10"	4	480053	38,00	480066	38,00

up to DN 400 on request

Flange DIN EN 1092-1, DIN 2501

### PVDF

d	DN	inch	PN bar	EPDM		FKM	
				No.	KG	No.	KG
20	15	¾"	4	480119	0,26	480128	0,26
25	20	¾"	4	480120	0,29	480129	0,29
32	25	1"	4	480121	0,40	480130	0,40
40	32	1¼"	4	480122	0,70	480131	0,70
50	40	1½"	4	480123	1,00	480132	1,00
63	50	2"	4	480124	1,70	480133	1,70
75	65	2½"	4	480125	8,00	480134	8,00
90	80	3"	4	480126	10,40	480135	10,40
110	100	4"	4	480127	12,80	480136	12,80

up to DN 150 on request

Flange DIN EN 1092-1, DIN 2501